



Combo Trailer Repair Parts

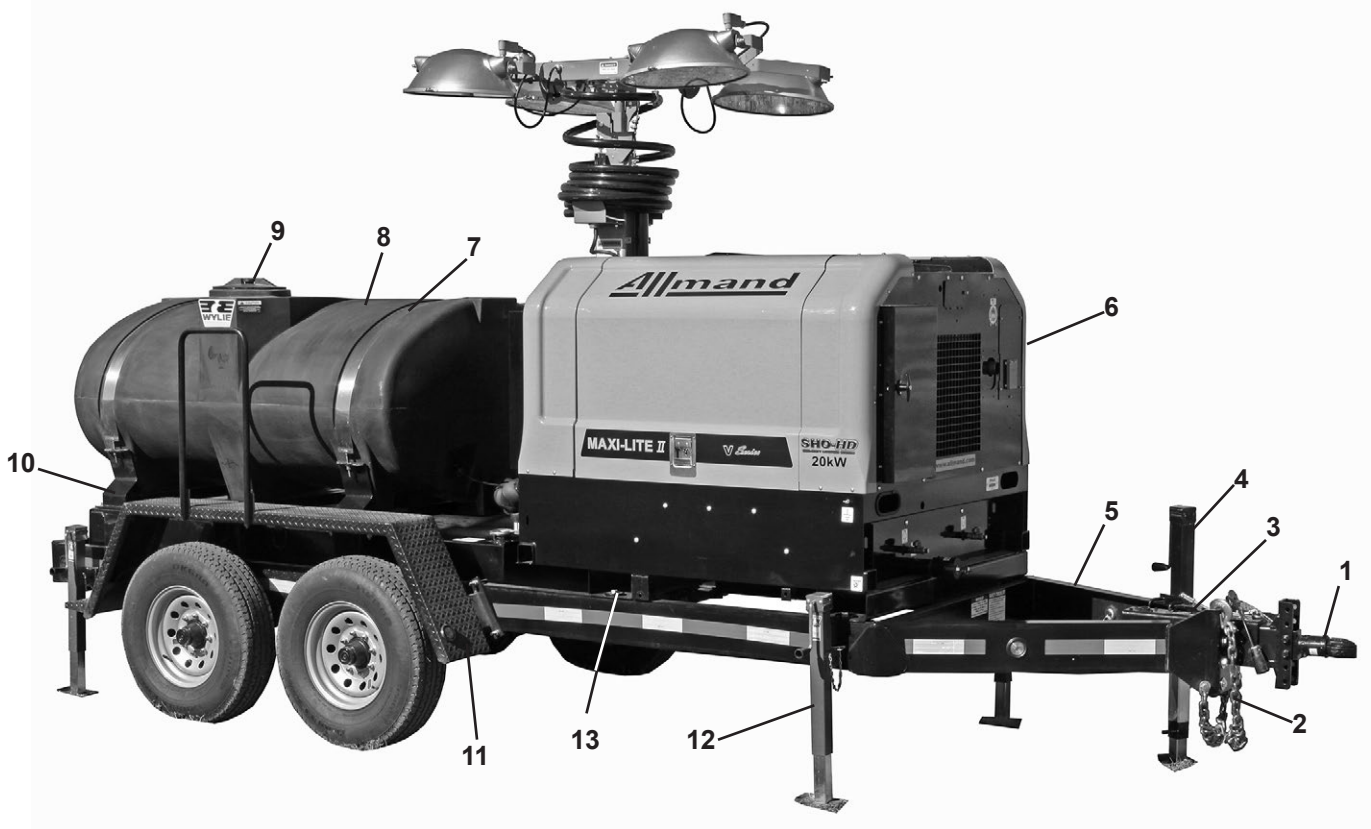
Combo Trailer	30
Fuel Tank	31
Pump Plumbing (before S/N 051695).....	32
Pump Plumbing (after S/N 051695).....	33
Tank Plumbing (before S/N 051695)	34
Tank Plumbing (after S/N 051695)	35
Lights and Brake System.....	36
Wiring Schematic.....	37
Tires & Axles.....	38
7,000 lb Axle Assembly.....	39



Combo Trailer

EXP-500/COMBO-S

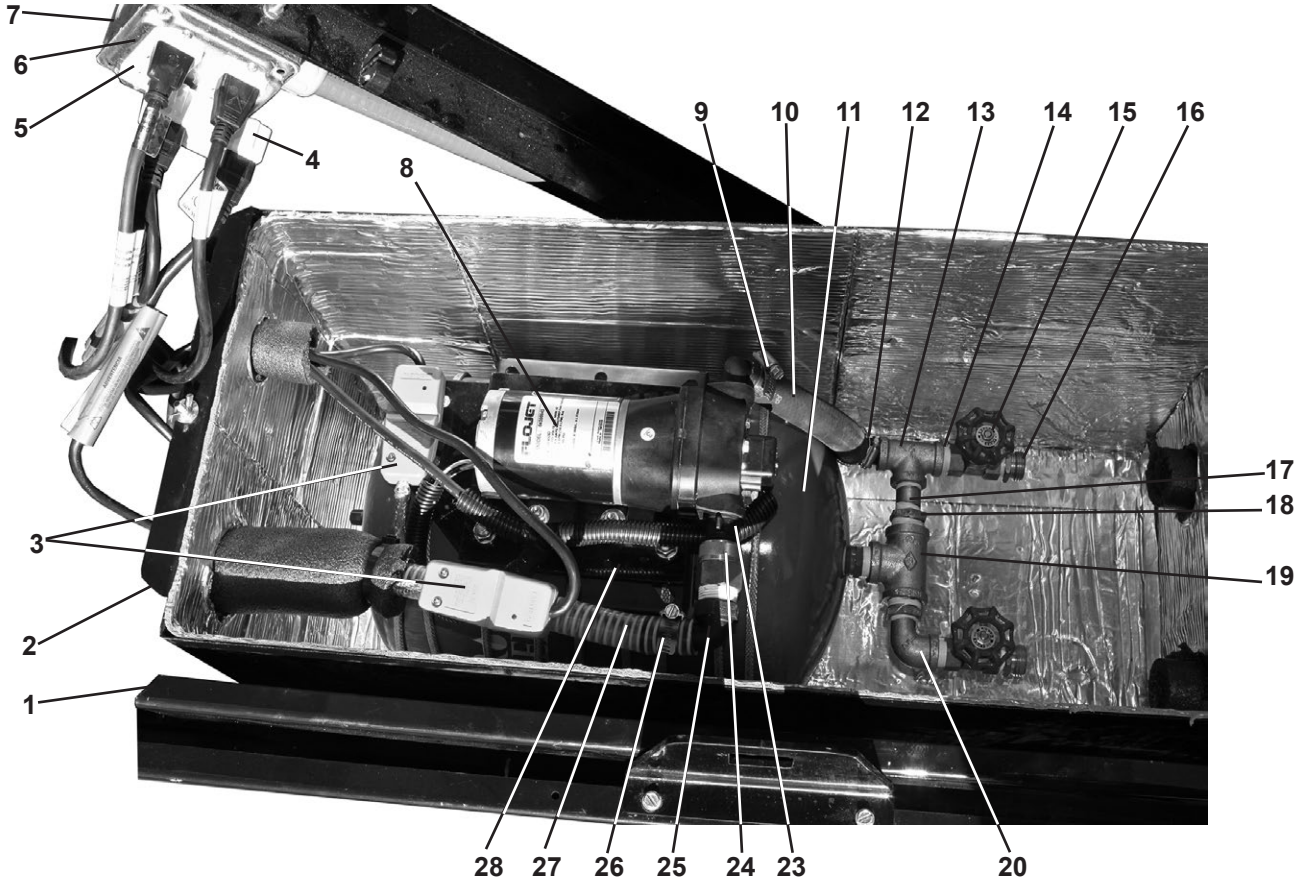
500 Gal. Combo Trailer



No.	Part No.	Description	No.	Part No.	Description
1	W-028657	15K Coupler, 2 5/16"	8	T500HELBK	500 Gal. Poly Tank, Black
2	SC70-49	Safety Chain	9	TLV10R	10" Lid
3	W121121	20,000 lb Surge Brake Actuator	10	W144005	Water Tank Support Frame
4	W144006	Drop Leg Jack	11	W144002	Combo Trailer Fender
5	W144001	Trailer Frame	12	35SQ15F-00	3000# Sidewind Jack
6	WM2013SKID	Allmand 20KV Generator	13	W144008	Generator Pad Washer
7	W720145	#69-T-3"x94" Tank Band			

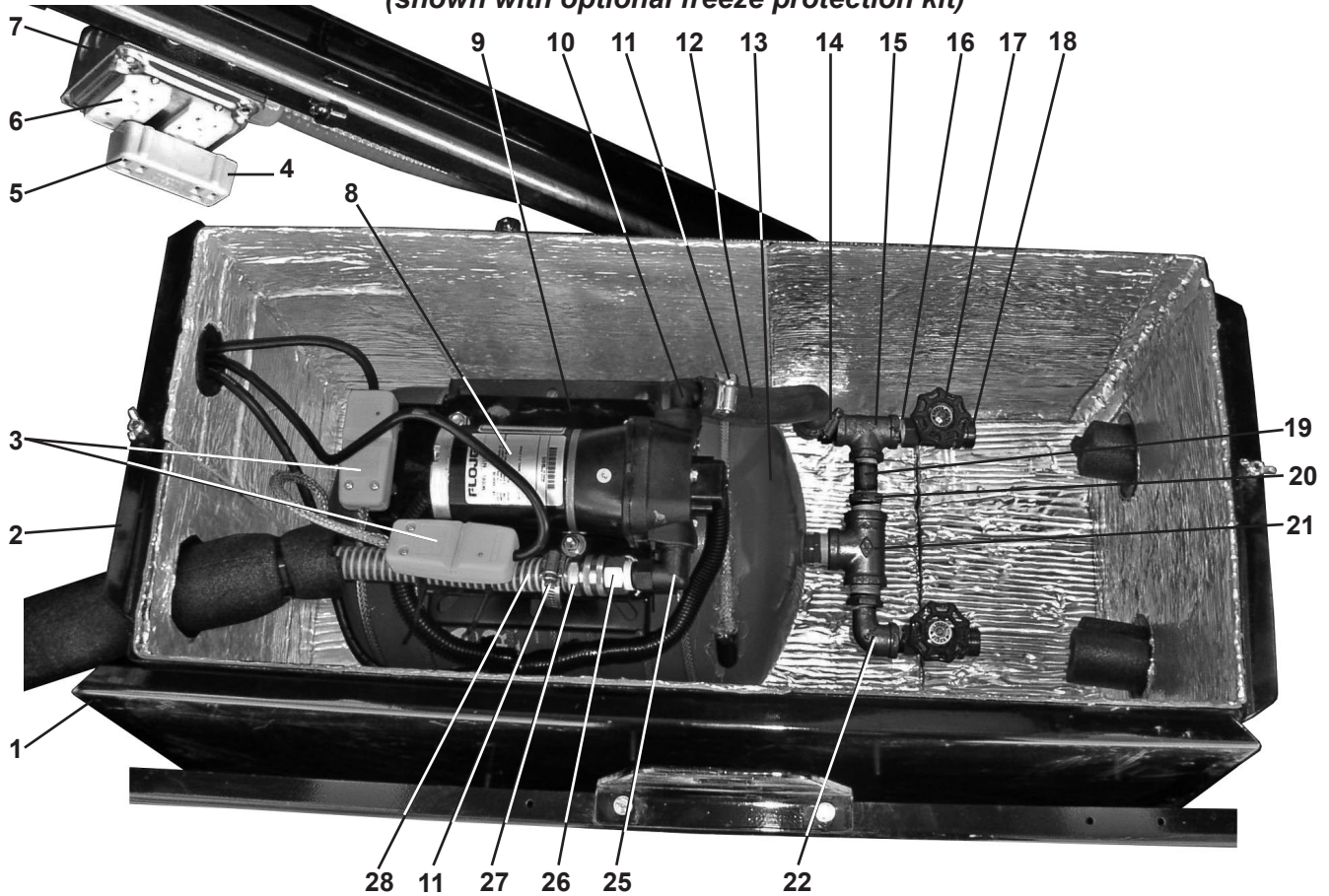


**Pump Plumbing -- For Trailers With Serial Numbers
Below 051695 (shown with optional freeze protection kit)**



No.	Part No.	Description	No.	Part No.	Description
1	W140012	Pump Box Lid	15	BV-012	½" Brass Gate Valve
2	W144011	Pump Box	16	E3412B	¾" MGHT x ½" MPT Adapter
NS	W144013	Base Plate	17	NP-2G	½" x 2" Nipple Galv.
3	HC-25	Heat Cable Kit, 25'	18	RB-3412G	¾" x ½" Reducer Bushing Galv.
4	TC-3	Thermocube Outlet	19	TEE-34G	¾" Tee Galv.
5	2095-W	20 AMP GFCI Duplex Outlet	20	90STL-12G	½" Street Elbow Galv.
6	TP511	4SQ Cover F/2 GFCI	23	20381-032	Port Kit ¾" MPT
7	TP403	4SQ 2-1/8D Box	24	S-2-BR	¾" FPT Swivel x ¾" FGHT
8	4300-043A	115V Flojet Pump	NS	3800-0035	Garden Hose Screen
9	1012	¾" Hose Clamp	25	HB075-90	¾" Hosebarb 90°
10	2-200-075	¾" Rubber Hose	26	1012	¾" Hose Clamp
11	HT6HB	6 Gallon Pressure Tank		1016	1" Hose Clamp
12	HB050/075-90	½" MPT x ¾" HB, 90° Poly	27	7-090-075	¾" PVC Suction Hose
13	TEE-12G	½" Tee Galv.		7-090-100	1" PVC Suction Hose
14	NP12-CLOSEG	½" Close Nipple Galv.	28	W144009	Pump Mount Plate

Pump Plumbing -- For Trailers With Serial Numbers Above 051695 (inclusive) (shown with optional freeze protection kit)

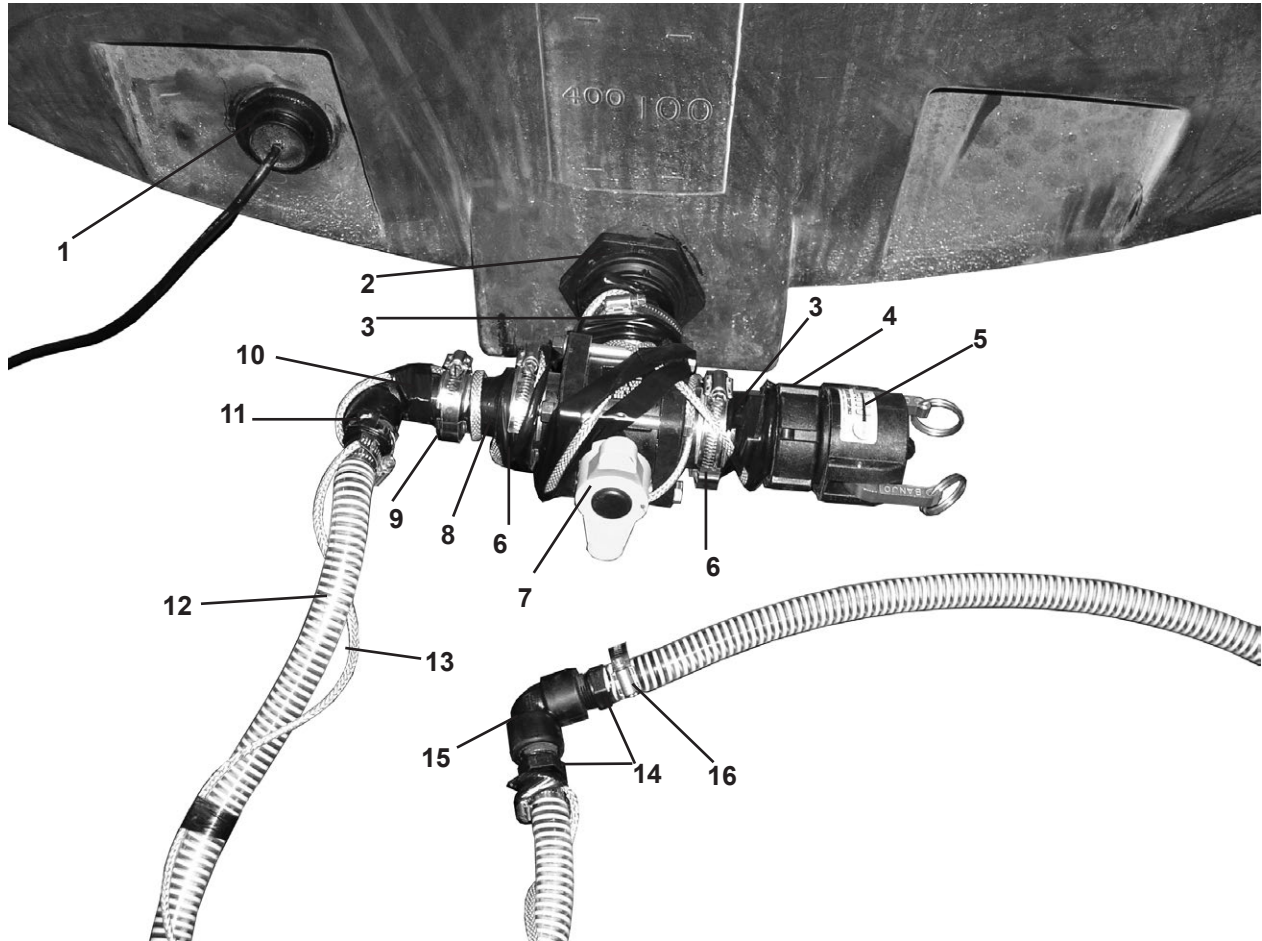


No.	Part No.	Description	No.	Part No.	Description
1	W140012	Pump Box Lid	14	HB050/075-90	½" MPT x ¾" HB, 90° Poly
2	W144011	Pump Box	15	TEE-12G	½" Tee Galv.
NS	W144013	Base Plate	16	NP12-CLOSEG	½" Close Nipple Galv.
3	HC-25	Heat Cable Kit, 25'	17	BV-012	½" Brass Gate Valve
4	TC-3	Thermocube Outlet	18	E3412B	¾" MGHT x ½" MPT Adapter
5	2095-W	20 AMP GFCI Duplex Outlet	19	NP-2G	½" x 2" Nipple Galv.
6	TP511	4SQ Cover F/2 GFCI	20	RB-3412G	¾" x ½" Reducer Bushing Galv.
7	TP403	4SQ 2-1/8D Box	21	TEE-34G	¾" Tee Galv.
8	4300-043A	115V Flojet Pump	22	90STL-12G	½" Street Elbow Galv.
9	W144009	Pump Mount Plate	25	20381-047	Port Kit, ½" MPT, 90°
10	20381-010	Port Kit, ¾" EL	26	S-1-BR	½" FPT Swivel x ¾" FGHT
11	1012	¾" Hose Clamp	NS	3800-0035	Garden Hose Screen
12	2-200-075	¾" Rubber Hose	27	D-3434-BR	¾" MGHT x ¾" Hosebarb
13	HT6HB	6 Gallon Pressure Tank	28	7-090-075	¾" PVC Suction Hose



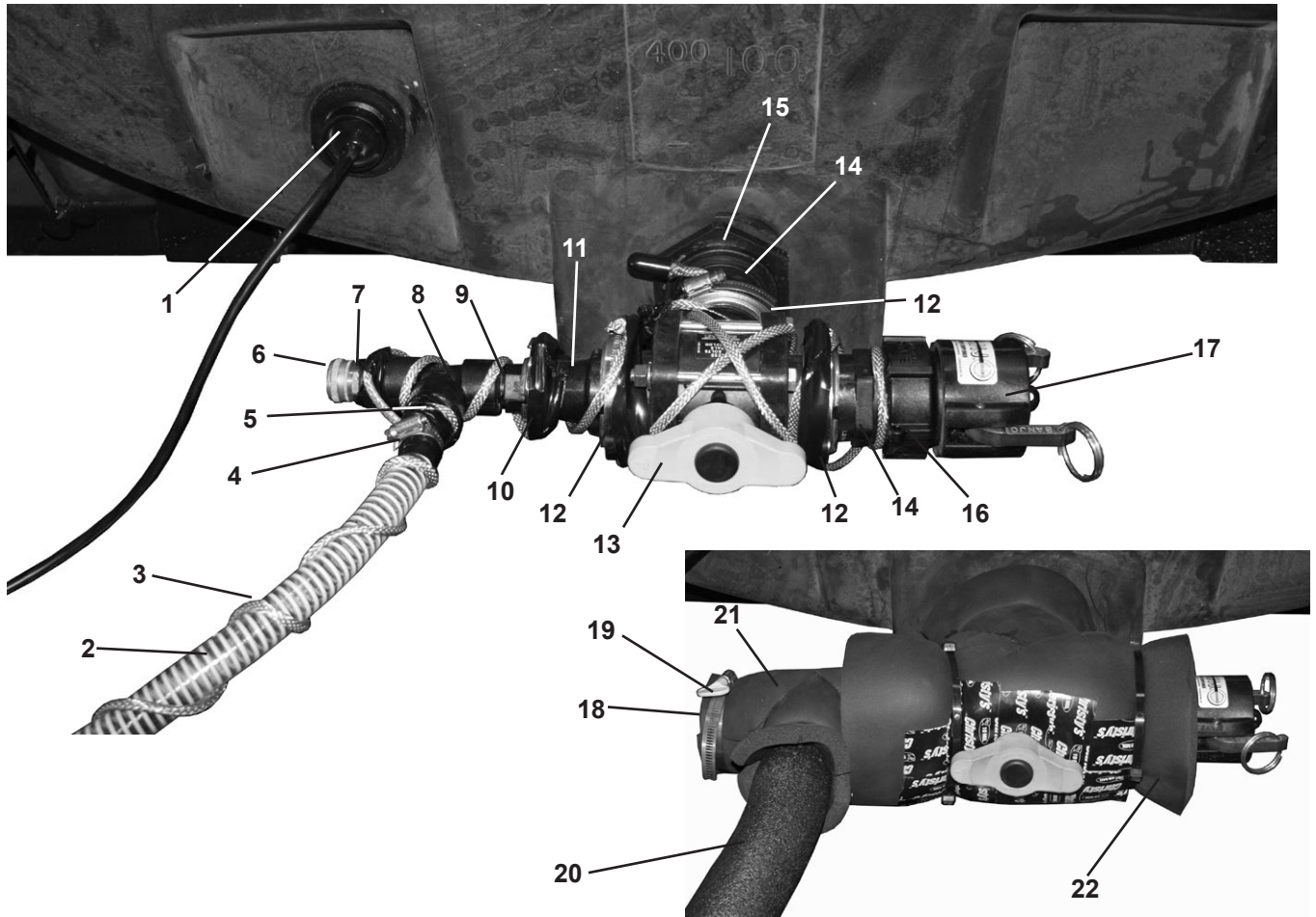
**Tank Plumbing -- For Trailers With Serial Numbers
Below 051695**

(shown with optional freeze protection kit)



No.	Part No.	Description	No.	Part No.	Description
1	DPH-15	Tank Heater	10	M100075FPT	1" Flange x 3/4" FPT
2	60405	2" Bulkhead Fitting	11	SL075-90	3/4" Street Elbow
3	M200MPT	2" Flange x 2" MPT	12	7-090-075	3/4" PVC Suction Hose
4	200-A-PP	2" QC Male Adapter, 2" FPT	13	HC-25	Heat Cable Kit, 25'
5	200-CAP-PP	2" QC Cap	14	HB-075	3/4" Hose Barb
6	FC200	2" Flange Clamp	15	EL075-90	3/4" Elbow
	150G	2" EPDM Gasket	16	1012	3/4" Hose Clamp
7	MV200BL	2" 3-Way Bottom Load Valve	NS	93715K13	Foam Insulation Elbow
8	M200100CPG	2"x1" Flange Coupling	NS	93715K128	Foam Insulation Tee
9	FC100	1" Flange Clamp	NS	IR6200	1 3/8" ID Foam Pipe Insulation
	M100G	1" EPDM Gasket			

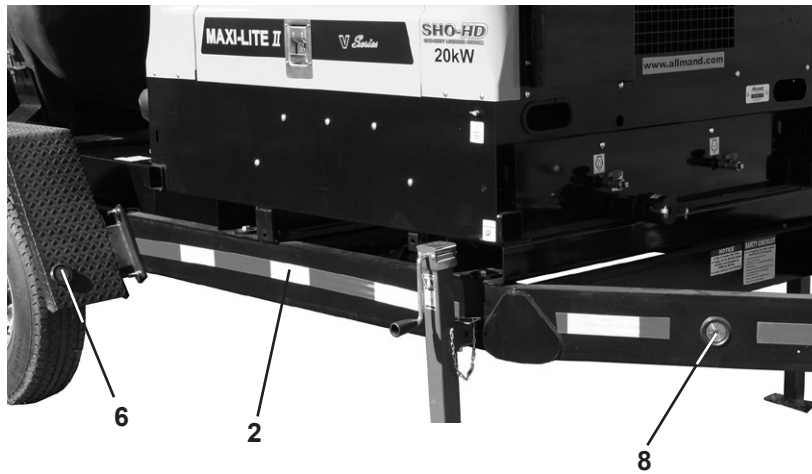
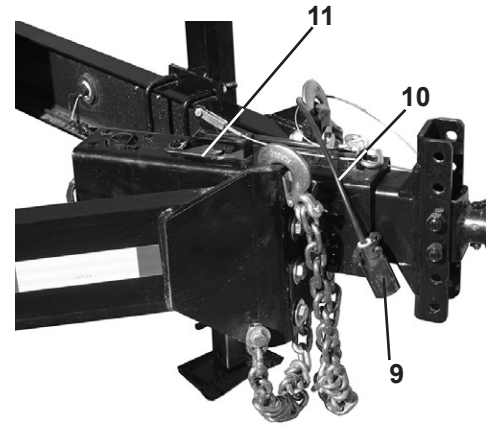
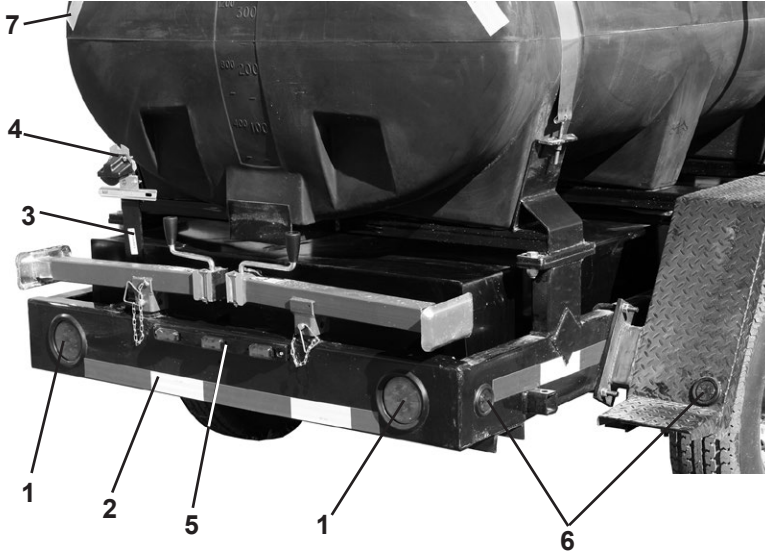
Tank Plumbing -- For Trailers With Serial Numbers Above 051695 (inclusive) (shown with optional freeze protection kit)



No.	Part No.	Description	No.	Part No.	Description
1	DPH-15	Tank Heater	12	FC200	2" Flange Clamp
2	7-090-075	3/4" PVC Suction Hose		150G	2" EPDM Gasket
3	HC-25	Heat Cable Kit, 25'	13	MV200BL	2" 3-Way Bottom Load Valve
4	1012	3/4" Hose Clamp	14	M200MPT	2" Flange x 2" MPT
5	HB-075	3/4" Hose Barb	15	60405	2" Bulkhead Fitting
6	70136	Hose Cap, Brass	16	200-A-PP	2" QC Male Adapter, 2" FPT
7	E34B	3/4" MGHT x 3/4" MPT	17	200-CAP-PP	2" QC Cap
8	TEE075	3/4" Poly Tee	18	PLUG200	2" Poly Plug
9	M100075MPT	1" Flange x 3/4" MPT	19	5064	4" Hose Clamp
10	FC100	1" Flange Clamp	20	IR6200	1 3/8" ID Foam Pipe Insulation
	M100G	1" EPDM Gasket	21	93715K121	Foam Insulation Tee
11	M200100CPG	2"x1" Flange Coupling	22	93715K128	Foam Insulation Tee



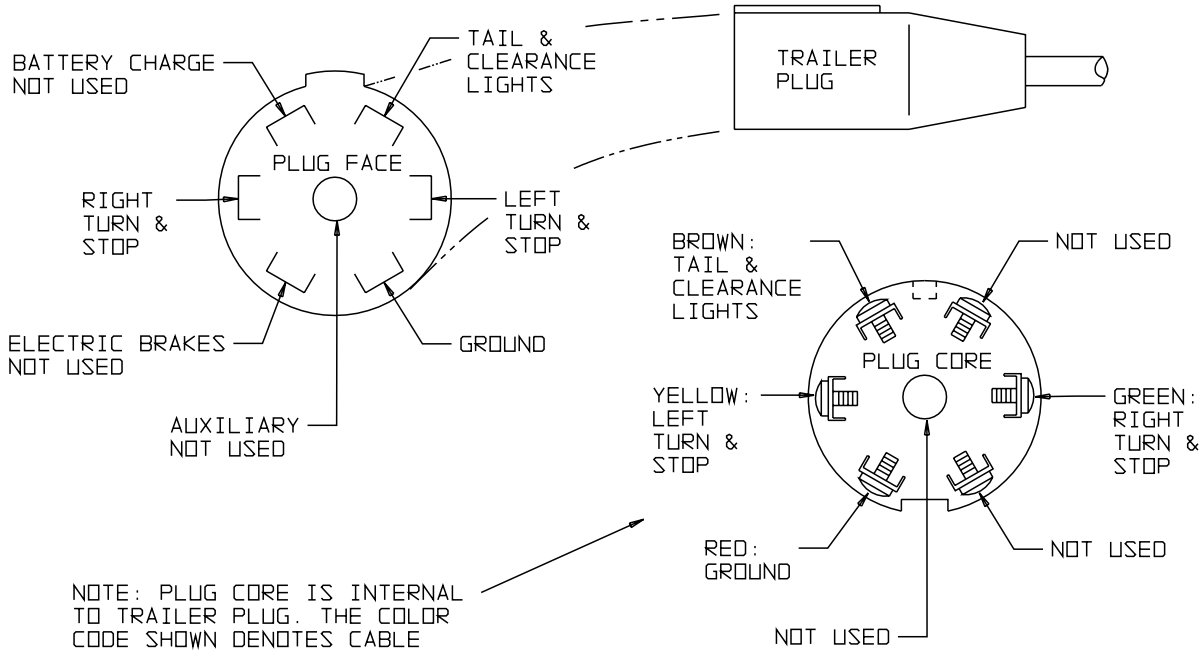
Lights & Brake System



No.	Part No.	Description	No.	Part No.	Description
1	J-45-RK	4" LED Red Stop, Turn Light	7	TMP-W200-12	White Reflective Tape, 2"
2	TMP-3M-980-02	Red & White Reflective Tape	8	A203K	2" LED Amber Side Marker Light
3	W144007	License Plate Bracket	9	5077003	7 Pole Trailer Connector
4	223210	License Plate Light Ass'y.	10	91465	14 Ga. 6 Conductor Wire
5	CPL26R-3 BAR	LED 17" ID Light	11	W121121	20,000 lb Surge Brake Actuator
6	R203K	2" LED Red Side Marker Light			



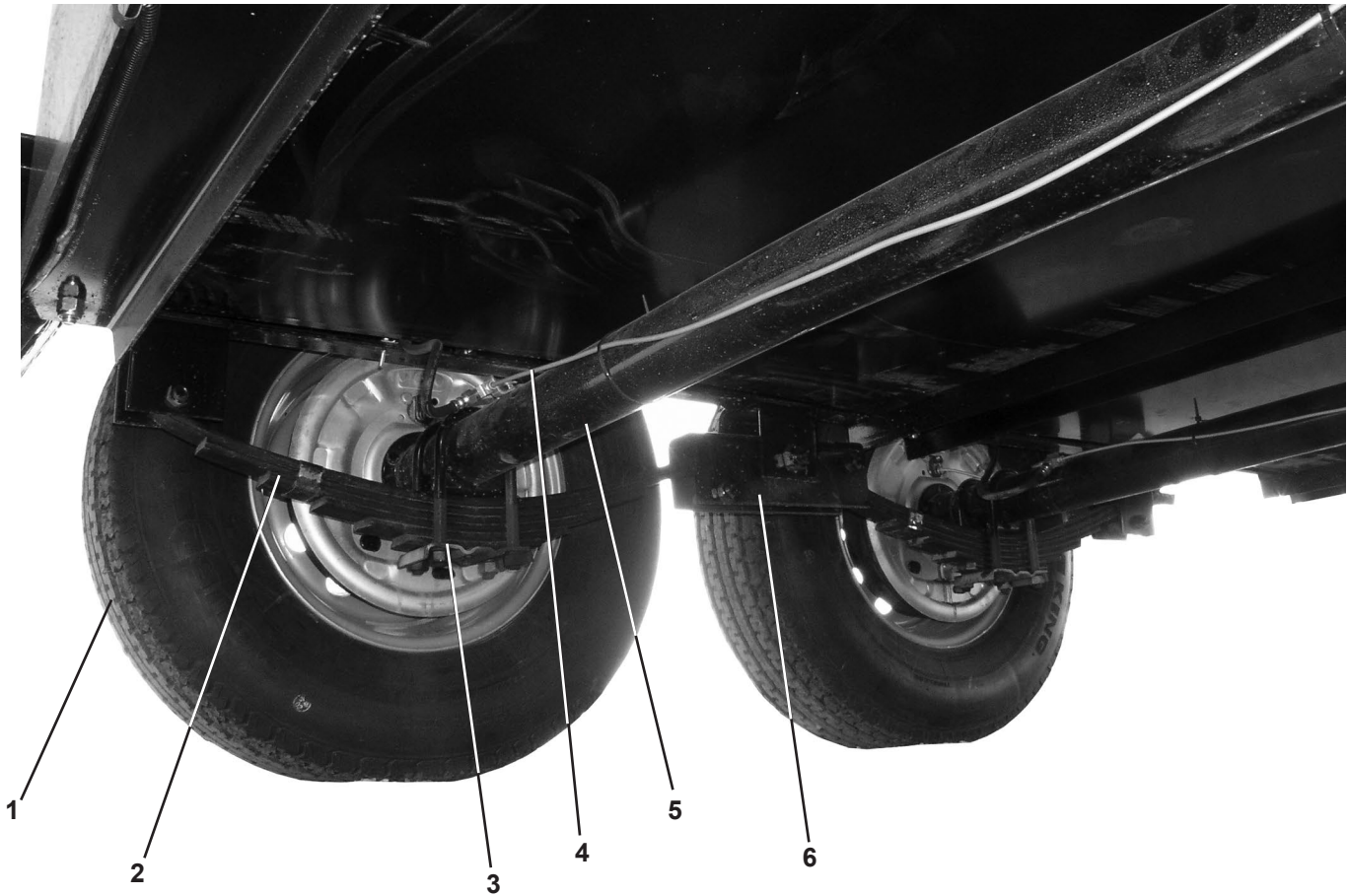
WYLIE TRAILER WIRING SCHEMATIC OF PLUG FOR EXP-500/COMBO-S



NOTE: PLUG CORE IS INTERNAL TO TRAILER PLUG. THE COLOR CODE SHOWN DENOTES CABLE CONDUCTOR COLORS.



Tire & Axles

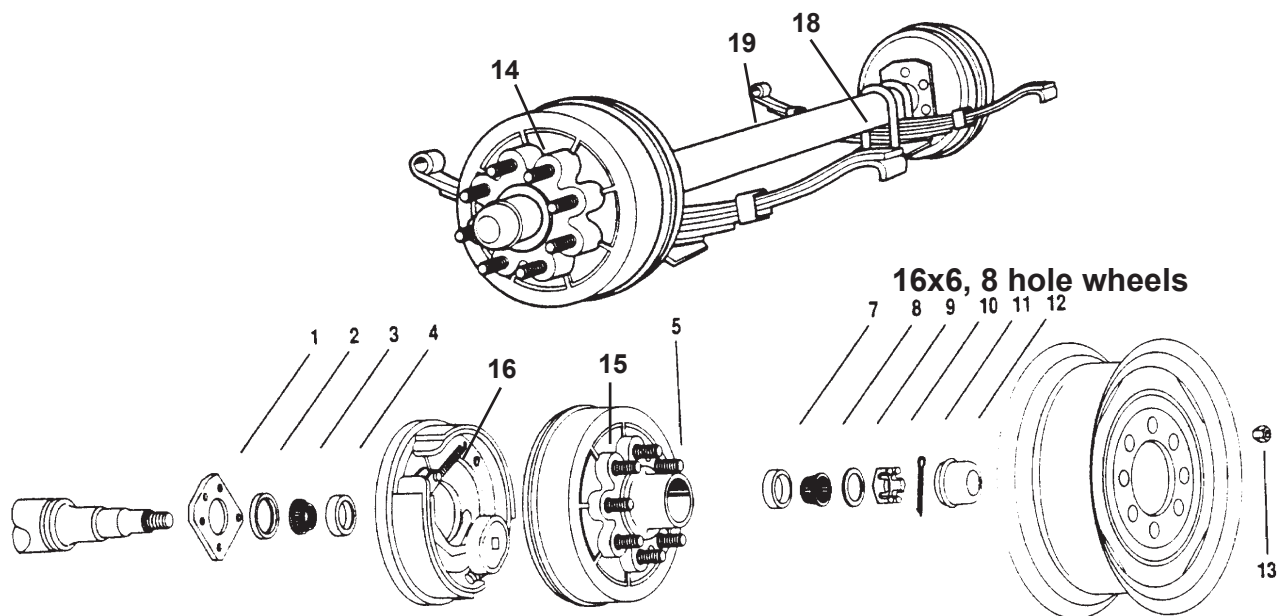


No.	Part No.	Description
1	660865831314115	3,520# Wheel/Tire Assembly ST235-80R16
2	4361-40	Slipper Spring, 2" 4K, 6 Leaf
3	4201	3" U-Bolt Kit
4	4781	Tandem Axle Hydraulic Line Kit
5	TS70705525865FBC	7K Brake Axle, Accu-Lube
6	4114-H	Hanger Kit



7,000 lb Axle Assemblies

TS70705525865FBC -- Axle Assembly



No.	Part No.	Description	No.	Part No.	Description
1	4-6T	Brake Flange	13	4756	Lug Nut
2	22333TBN	Grease Seal, double lip	14	92865A	Complete Brake Hub Ass'y.
3	25580	Inner Cone, 1.75 ID	15	92865A-1	Brake Hub, Bearings, Studs
4	25520	Inner Cup, 3.625" OD	16	4704-L	LH Electric Brake Ass'y, 12"x2¼"
5	4759-25-Z	Wheel Stud, ½" - 20x2.5"		4704-R	RH Electric Brake Ass'y, 12"x2¼"
7	14276	Outer Cup, 2.717" OD	17	4113-H	Triple Axle Slipper Spring Hanger Bracket (NS)
8	14125A	Outer Cone, 1.25" ID		4114-H	Tandem Axle Slipper Spring Hanger Bracket (NS)
9	4753	Spindle Washer, 1"	18	4201	3" U-Bolt Kit (1 per axle)
10	4754	Spindle Nut, 1" -14	19	4361-40	Slipper Leaf Springs, 2", 4K, 6 Leaf
11	4755	Cotter Pin, 1/8" x 2"		W120510	Equalizer Bar (Not Shown)
12	1605	Grease Cap			

2014 – Wylie Manufacturing Company
Specifications Subject To Change Without Notice